



SERVICE PARTS LIST

BULLETIN NO.
54-05-0157

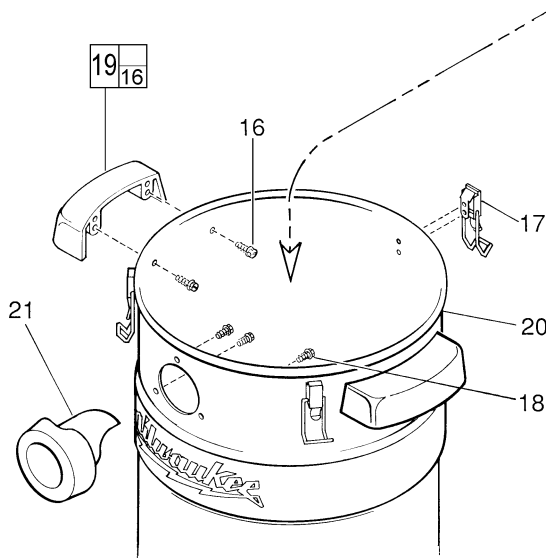
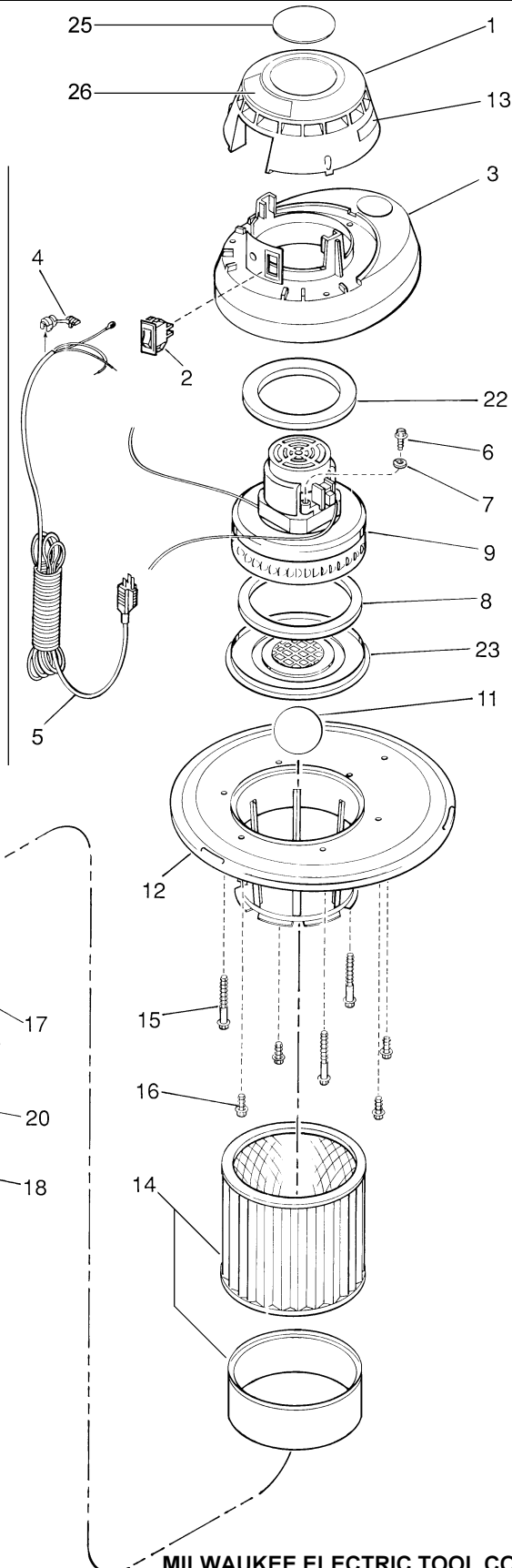
SPECIFY CATALOG NO. AND SERIAL NO. WHEN ORDERING PARTS		REVISED BULLETIN 54-05-0156	DATE Mar. 2001
8 GALLON WET OR DRY VACUUM CLEANER		WIRING INSTRUCTION	
CATALOG NO. 8950	STARTING SERIAL NO. SERIES S8		

EXAMPLE:

00 0 Component Parts (Small #) Are Included
When Ordering The Assembly (Large #).

★=Part number change from previous service parts list.

FIG. PART NO.	DESCRIPTION OF PART	NO. REQ.
1	Housing Cap	(1)
★ 2	Switch	(1)
★ 3	Motor Housing	(1)
4	Strain Relief Bushing	(1)
★ 5	Power Cord	(1)
6	#10 x 3/8" Slit. Hex Hd. Ground Screw	(1)
7	#10 Split Ring Lockwasher	(1)
8	Motor Bottom Gasket	(1)
9	Motor	(1)
11	Ball Float	(1)
12	Plastic Cover Lid	(1)
★ 13	Service Nameplate	(1)
14	Cartridge Filter	(1)
15	#10 x 3" Self-Tapping Slit. Hex Hd. Screw	(3)
16	#10 x 3/4" Self-Tapping Slit. Hex Hd. Screw	(8)
17	Buckle	(3)
18	#10 x 1/2" Slit. Hex Hd. Screw	(3)
19	Handle Package (2 Handles and 4 Screws)	(1)
20	Tank	(1)
21	Inlet Fitting	(1)
22	Motor Top Gasket	(1)
23	Motor Plate	(1)
25	Warning Label	(1)
26	French/Spanish Label	(1)
22-18-0195	Carbon Brush Set	(1)



MILWAUKEE ELECTRIC TOOL CORPORATION
13135 W. LISBON RD., BROOKFIELD, WI 53005